

## GM-OH Stainless Steel 316 Offset Hinge

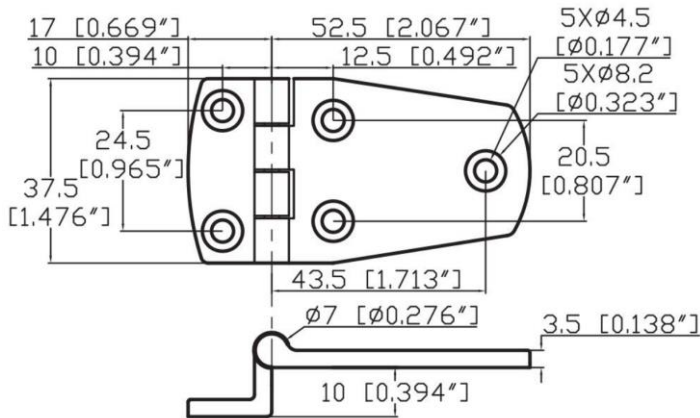
### Features

- Thin cast hinge with extruded roll pin
- Low profile hinge barrel design is welded closed on both ends
- Tight tolerance construction
- Durability and aesthetics combined

### Material

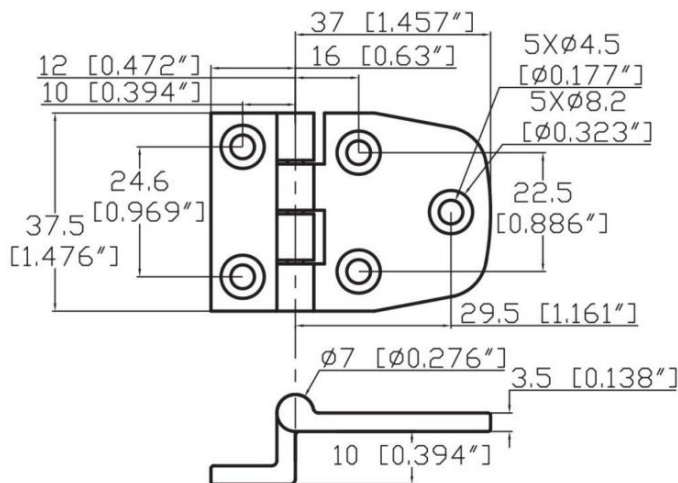
- Stainless steel 316

### Type 1



Part No.	Dimensions	Screw Size
GM-OH-I936640	37.5 x 69.5	#8 or M4

### Type 2



Part No.	Dimensions	Screw Size
GM-OH-I936639	37.5 x 49	#8 or M4